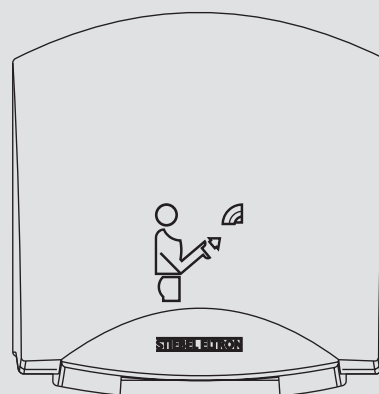


BEDIENUNG UND INSTALLATION
OPERATION AND INSTALLATION
UTILISATION ET INSTALLATION
BEDIENING EN INSTALLATIE
OPERAÇÃO E INSTALAÇÃO
OBSŁUGA I INSTALACJA
OBSLUHA A INSTALACE
KEZELÉS ÉS TELEPÍTÉS
ЭКСПЛУАТАЦИЯ И МОНТАЖ

HÄNDETROCKNER | HAND DRYER | SÈCHE-MAINS | HANDENDROGER | SECADOR DE MÃOS |
SUSZARKA DO RĄK | SUŠIČ RUKOU | KÉZSZÁRÍTÓ | ЭЛЕКТРИЧЕСКИЕ СУШИЛКИ ДЛЯ РУК

- » HTE 4
- » HTE 5



STIEBEL ELTRON

SPECIAL INFORMATION _____ **11**

OPERATION _____ **12**

1. General information _____ **12**

1.1 Document information _____ 12

1.2 Key to symbols _____ 12

2. Safety _____ **12**

2.1 Intended use _____ 12

2.2 Safety information _____ 12

2.3 CE designation _____ 13

2.4 Test symbols _____ 13

3. Equipment description _____ **13**

4. Operation _____ **13**

5. Cleaning, care and maintenance _____ **13**

6. What to do if ... _____ **13**

6.1 ... the appliance does not start _____ 13

6.2 ... the fan is running but there is no hot air _____ 13

6.3 The type plate _____ 13

INSTALLATION _____ **14**

7. Safety _____ **14**

7.1 General safety instructions _____ 14

7.2 Instructions, standards and regulations _____ 14

8. Installation _____ **14**

8.1 Installation information _____ 14

8.2 Installation conditions and preparations _____ 14

8.3 Power supply _____ 14

9. Installation _____ **14**

9.1 Removing the HTE 4 casing cover _____ 14

9.2 Removing the HTE 5 casing cover _____ 14

9.3 Wall mounting _____ 15

9.4 Fitting the HTE 4 casing cover _____ 15

9.5 Fitting the HTE 5 casing cover _____ 15

10. Appliance handover _____ **15**

11. Specification _____ **16**

11.1 Specification _____ 16

11.2 Wiring diagram _____ 16

11.3 Clearances _____ 16

11.4 Guidelines for installation height _____ 16

11.5 Dimensions _____ 17

CUSTOMER SERVICE AND WARRANTY _____ **18**

ENVIRONMENT AND RECYCLING _____ **18**

SPECIAL INFORMATION

- The appliance may be used by children aged 8 and up and persons with reduced physical, sensory or mental capabilities or a lack of experience provided that they are supervised or they have been instructed on how to use the appliance safely and have understood the resulting risks. Children must never play with the appliance. Children must never clean the appliance or perform user maintenance unless they are supervised.

OPERATION

GENERAL INFORMATION

1. General information

1.1 Document information

The chapter **Operation** is intended for users and contractors.

The chapter **Installation** is intended for heating contractors.



Please read
Read these instructions carefully before using the appliance and retain them for future reference. Pass on the instructions, if required, to a new user.

1.2 Key to symbols

Symbols in this documentation:

In these instructions you will come across symbols and highlights. These have the following meaning:



Risk of injury!
Information concerning possible risk of injury.



Danger of electrocution!



Risk of burning!



Fire hazard!



Never cover!



Possible damage
Information concerning damage to the appliance, environmental damage or material losses.



Note!
Text next to this symbol is particularly important.

» The "»" symbol indicates that you should do something. The action you need to take is described step by step.

2. Safety

2.1 Intended use

The appliance is used to dry wet hands.

This appliance is designed for domestic use. It can be used safely by untrained persons. The appliance can also be used in a non-domestic environment, e.g. in a small business, as long as it is used in the same way.

Any other use beyond that described shall be deemed inappropriate. Observation of these instructions is also part of the correct use of this appliance. Any modifications or conversions to the appliance void all warranty rights.

2.2 Safety information



Risk of burning!
During operation, temperatures in excess of 90 °C occur at the hot air outlet.



WARNING Injury
The appliance may be used by children aged 8 and up and persons with reduced physical, sensory or mental capabilities or a lack of experience provided that they are supervised or they have been instructed on how to use the appliance safely and have understood the resulting risks. Children must never play with the appliance. Children must never clean the appliance or perform user maintenance unless they are supervised.



Fire hazard!
Never place any objects on top of the appliance. Never lean any objects against it or place any objects between the appliance and the wall.
Never place any flammable, combustible or insulating objects or materials, such as laundry, blankets, magazines, containers with floor polish or napsan, spray cans or similar, in direct proximity of the appliance.



Fire hazard!
Never operate this appliance ...

... in rooms where the appliance is at risk from fire or explosion as a result of chemicals, dust, gases or vapours.

... in the direct proximity of pipes or receptacles that carry or contain flammable or explosive materials.

... if work such as laying cables, grinding or sealing is carried out in the installation room.

... if sprays, floor polish or similar products containing napsan are used. Ensure the room is adequately ventilated before using the appliance.

OPERATION

EQUIPMENT DESCRIPTION



Danger of electrocution!
Never insert any objects into any aperture in the appliance. This can lead to fatal electric shocks and / or fires.



Never cover!
Never cover the appliance to prevent overheating.



Note!
Never operate the appliance if the minimum clearances to adjacent surfaces are not maintained.



Note!
If you use the appliance in workshops or other rooms where flue gases, oil and petrol vapours, etc. are present, or solvents and chemicals are used, lasting, unpleasant odours and possibly contamination can result.



Note!
Ensure that the air inlet aperture at the bottom and back of the appliance is always open.



Note!
Maintain the minimum clearance (see chapter Specification) to the air outlet grille at the bottom. The hot air must be able to escape unimpeded.



Note!
Never spray the appliance with a water hose to clean it (see chapter Cleaning, care and maintenance).

2.3 CE designation

The CE designation shows that the appliance meets all essential requirements according to the:

- Electromagnetic Compatibility Directive
- Low Voltage Directive

2.4 Test symbols

See type plate.

3. Equipment description

The appliance works without contact. It is fitted with an optical proximity sensor, which automatically activates the heater and fan when your hands approach the appliance. The response area is between 4 cm and 13 cm beneath the air outlet grille. When you remove your hands, the appliance stops after approx. three seconds.

The casing design makes it virtually impossible to use the appliance as a depository for cigarettes or similar. Avoid any wall offset at the top of the appliance to maintain this effect.

The HTE 5 is also protected against damage by its robust diecast aluminium casing.

4. Operation

- » Shake your wet hands over the sink before drying. This reduces the drying time and saves energy.
- » Then hold your hands under the air outlet grille and rub them together in the hot air current.

5. Cleaning, care and maintenance

A damp cloth is sufficient for cleaning the casing. Never use abrasive or corrosive cleaning agents. Go over the casing with a soft cloth. Never spray the appliance using a water hose or other tools. This would let water penetrate the appliance.

6. What to do if ...

6.1 ... the appliance does not start

- Check the fuses / MCBs in your fuse box.
- Covering the optical proximity sensor impairs the function of the appliance. In this case, the appliance stops after approx. three seconds to avoid constant operation. In the event of a fault, check whether the sensor surface is clear. Once you have removed any objects, the appliance will work correctly again.

6.2 ... the fan is running but there is no hot air

- When overheating occurs, the heater bank is switched off but the fan continues to run for cooling purposes. The temperature sensor switches the heater on again approx. two minutes after the appliance stops.

6.3 The type plate

The type plate is located at the bottom of the appliance.

7. Safety

Only qualified contractors should carry out installation, commissioning, maintenance and repair of the appliance.

7.1 General safety instructions

We guarantee trouble-free operation and operational reliability only if the original accessories and spare parts intended for the appliance are used.

7.2 Instructions, standards and regulations



Note!
Observe all applicable national and regional regulations and instructions.



Note!
When installing the appliance in rooms with a bath and / or shower, take the relevant safety zone into account. Install the appliance in accordance with the information on the type plate. Refer to VDE 0100 - 701 for the standard applicable to safety zones in Germany.

8. Installation

8.1 Installation information

– Fit the appliance flat against a solid wall (without any offset) to prevent damage caused by vandalism.

8.2 Installation conditions and preparations

– Always fit the appliance to a vertical wall that is temperature-resistant to over 90 °C.
– Always maintain the specified minimum clearances.

8.3 Power supply

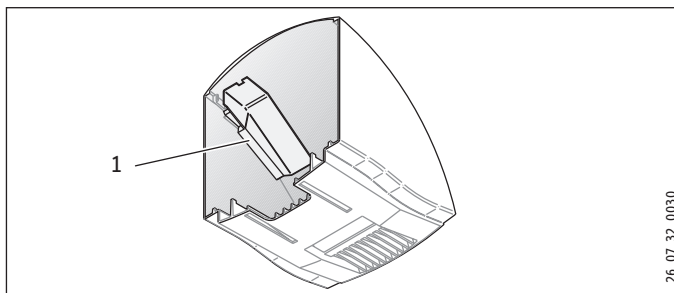


Note!
Observe the type plate. The specified voltage must match the mains voltage.



Danger of electrocution!
Only use a permanent connection to the power supply. The appliance must be able to be separated from the mains power supply by an isolator that disconnects all poles with at least 3 mm contact separation.

- » Select a power cable with an adequate cross-section.
- » Connect the power cable in accordance with the wiring diagram (see Specification).



1 Plastic bracket

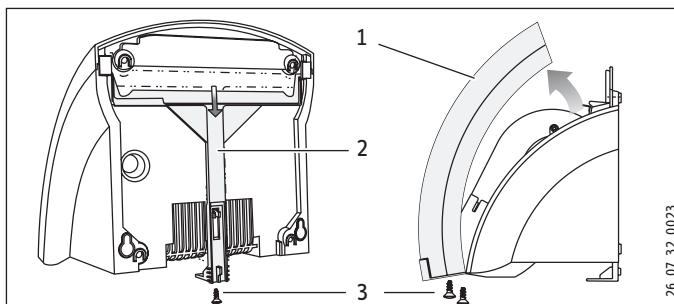
The plastic bracket fixed to the inside of the HTE 5 casing cover provides additional insulation for the power cable and terminal.

9. Installation



Danger of electrocution!
Carry out all electrical connection and installation work in accordance with relevant regulations.

9.1 Removing the HTE 4 casing cover

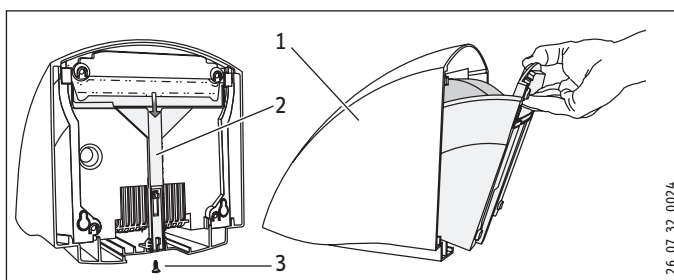


1 Casing cover
2 Locking slide
3 Screws

- » Undo the screws on the casing cover and locking slide.
- » Pull the locking slide down.
- » Remove the casing cover.

9.2 Removing the HTE 5 casing cover

- » Undo the locking screw.
- » Pull the locking slide down.
- » Remove the casing cover.

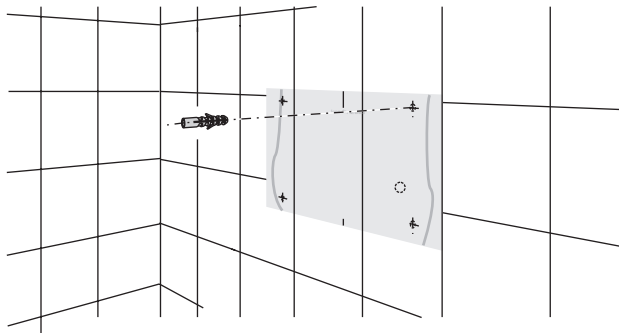


1 Casing cover
2 Locking slide
3 Locking screw

INSTALLATION

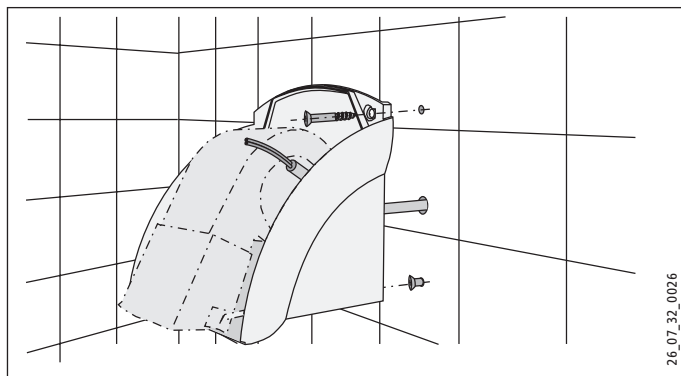
APPLIANCE HANDOVER

9.3 Wall mounting

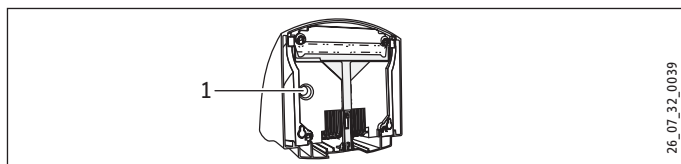


26_07_32_0025

- » Cut out the drilling template. This can be found at the end of these instructions.
- » Transfer the four mounting points on to the wall using the drilling template. Pay attention to the length and position of the power cable. Use our height guidelines to help you (see Specification).
- » Drill the fixing holes and insert rawl plugs.
- » Insert the lower fixing screws into the wall.



26_07_32_0026



26_07_32_0039

1 Cable entry

- » Pull the power cable through the cable entry in the back panel of the appliance.
- » Fit the appliance with the keyhole fixings on to the fixing screws.
- » Secure the appliance to the wall using two more screws.
- » Connect the power cable to the appliance.

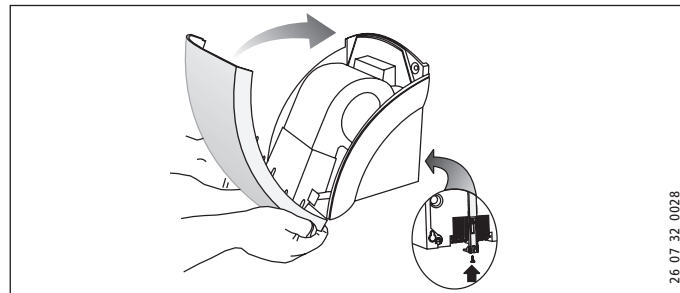


Note!
Ensure that the wires of the power cable are not near the fan motor.



Note!
Observe the maximum length of the power cable. (See Specification)

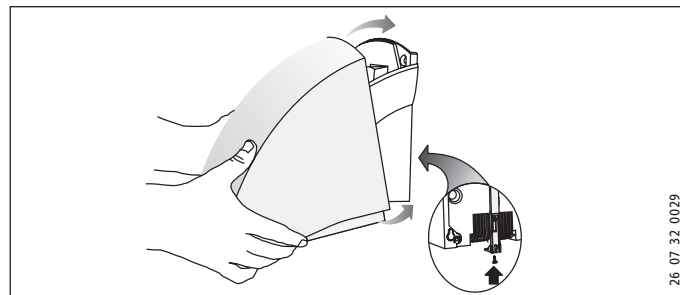
9.4 Fitting the HTE 4 casing cover



26_07_32_0028

- » Place the casing cover on the appliance so that it is slightly tilted and pivot it towards the wall.
- » Push the locking slide up as far as it will go.
- » Secure the locking slide and the casing cover with screws.

9.5 Fitting the HTE 5 casing cover



26_07_32_0029

- » Slide the casing cover, slightly tilted, over the appliance towards the wall as far as it will go. Ensure that the hooks provided on the bottom of the casing cover catch behind the back panel of the appliance.
- » To lock in place, lift the casing cover slightly at the front and push the locking slide up as far as it will go.
- » Secure the locking slide with screws.

10. Appliance handover

Explain the functions of the appliance to the user. Draw special attention to the safety information. Hand the operating and installation instructions to the user.

11. Specification

11.1 Specification

Model	Hand dryer	
Type	HTE 4	HTE 5
Part number	073007	073008
Colour	white	signal white
Casing	Plastic (ABS)	Diecast aluminium, painted

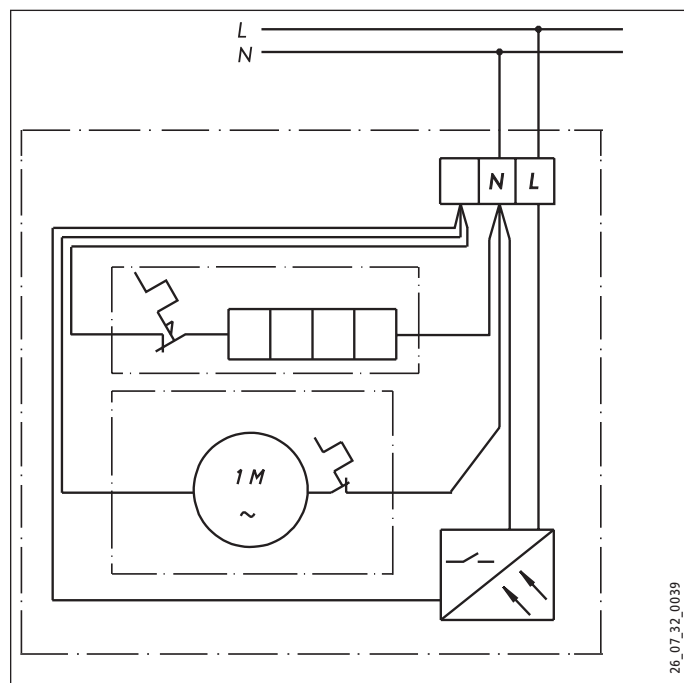
Operating details

Rated output	W	1800	1800
Output	W	1740	1740
Fan power	W	60	60
Connection	1/N 220-240 V 50 Hz	1/N 220-240 V 50 Hz	1/N 220-240 V 50 Hz
Protection cat. to EN 60335		II	II
Protection		IP 23	IP 23
Operating noise	~ dB (A)	54	54
Air throughput	~ m ³ /h	146	146
Runtime	~ s	36	36

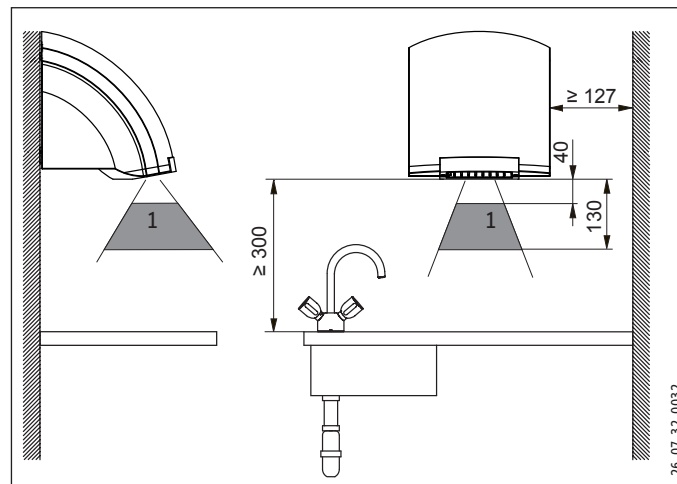
Dimensions and weights

Dimensions H x W x D	mm	250 x 238 x 230	266 x 257 x 230
Weight	kg	2.5	4
Maximum length of the power cable	mm	200	200

11.2 Wiring diagram



11.3 Clearances



1 Detection range of IR proximity sensor

11.4 Guidelines for installation height



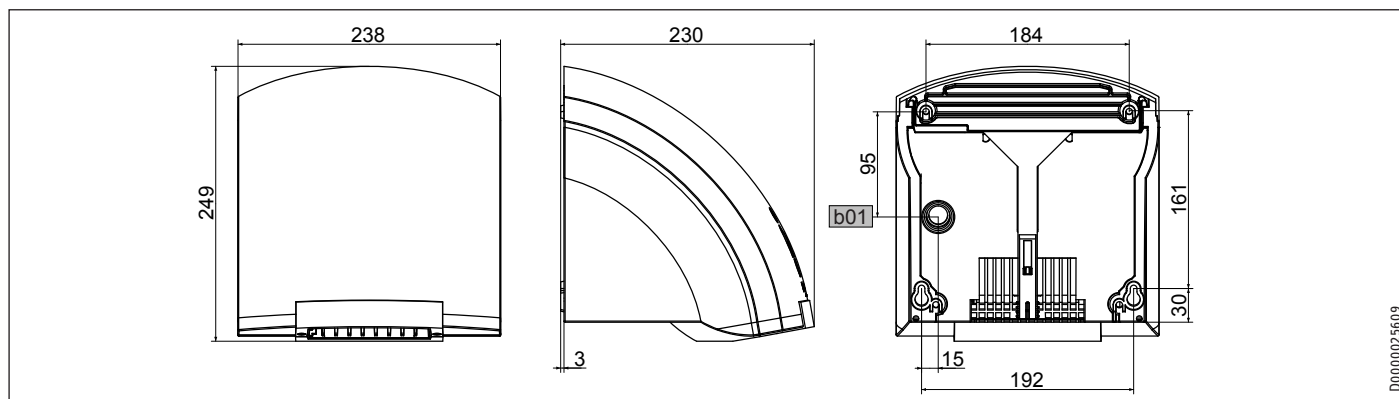
Note!
Height (mm) indicates the clearance between the bottom of the appliance and the floor.

Age	Age	Height (mm)
	Adult man	1350
	Adult woman	1250
	Nursery school age	4 - 7 810
	Primary school age	7 - 10 910
	Middle school age	10 - 13 1120
	High school age	13 - 16 1250

INSTALLATION SPECIFICATION

11.5 Dimensions

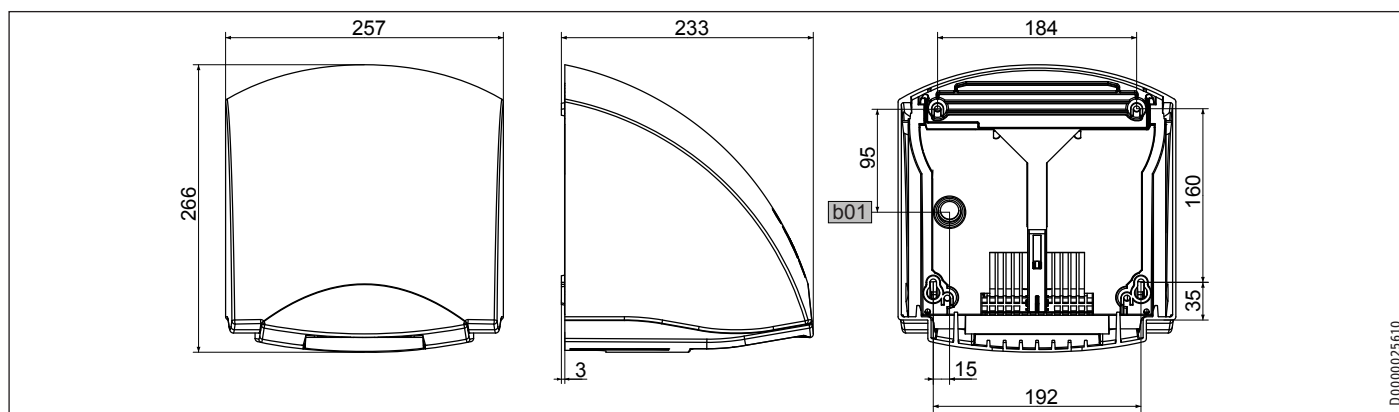
11.5.1 HTE 4



D0000025609

ENGLISH

11.5.2 HTE 5



D0000025610

Warranty

The warranty conditions of our German companies do not apply to appliances acquired outside of Germany. In countries where our subsidiaries sell our products, it is increasingly the case that warranties can only be issued by those subsidiaries. Such warranties are only granted if the subsidiary has issued its own terms of warranty. No other warranty will be granted.

We shall not provide any warranty for appliances acquired in countries where we have no subsidiary to sell our products. This will not affect warranties issued by any importers.

Environment and recycling

We would ask you to help protect the environment. After use, dispose of the various materials in accordance with national regulations.